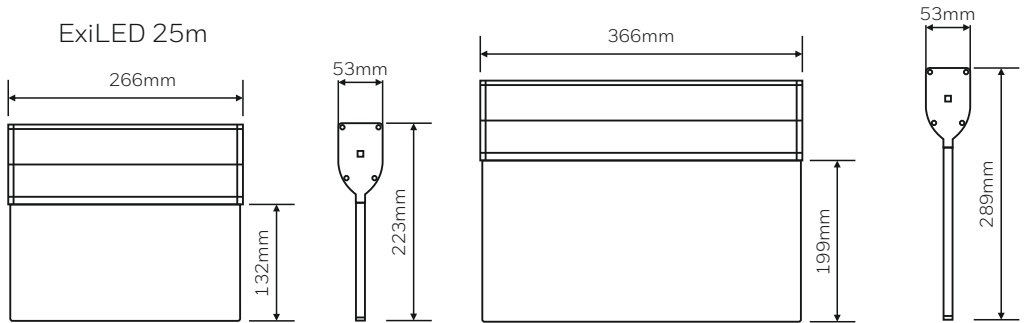
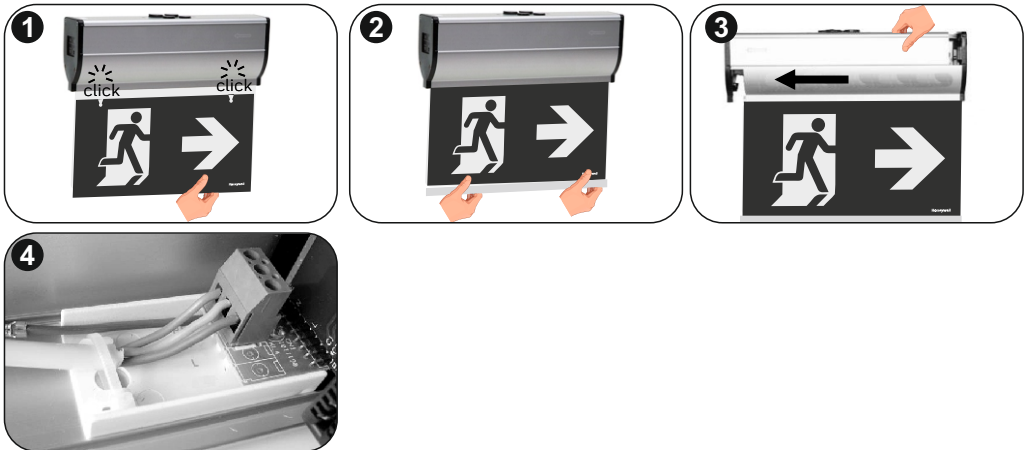


CBS Emergency Light

Dimensional Drawings:



Installation:



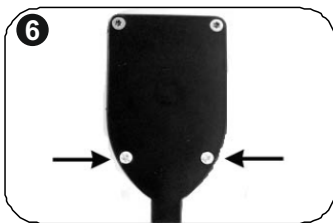
The product contains bracket for wall mounting and spacers for ceiling mounting.

Step 1: For double sided pictogram, install the appropriate pictograms to both sides, push up until you hear click sound. For single sided pictogram, there is one blind pictogram in the package.

Step 2: Install the retaining clip to hold the pictograms.

Step 3: Dismantle the luminaire by sliding the mounting part as shown in picture. Fasten the mounting part (with screws from within) to either wall bracket(supplied), ceiling (with or without supplied spacers), pendulum, wire or flag bracket.

Step 4: Make a hole on a black grommet and pass the mains cables through it. Connect the mains cables to the terminal blocks: L for live wire, N for neutral and PE for ground. Power supply cables cross section should be 0.8 - 3 mm². Tighten the cable tie around the cables.



Step 5: Slide the two aluminium parts carefully together.

Step 6: Fasten the two screws (included) as shown in the picture.

Step 7: Fasten the two screws (included) as shown in the picture.

Technical description	ExiLED 25m CBS 230V	ExiLED 40m CBS 230V
Part no.:	290142	290143
Operation Voltage:	85-250V AC/DC, 50-60 Hz	
Maximum Power Consumption:	1.55W / 1.85VA	1.8W / 2.1VA
Lumen output:	150 lm	180 lm
Produced in accordance with:	EN 60598-1, EN 60598-2-22, EN 55015 EN 61547, EN 61000-3-2, EN 61000-3-3	
Ambient Temperature Range:	-30 to 50 °C	
Relative Humidity:	Up to 95%	
Degree of cover protection:	IP40	
Technical lifetime (light source):	> 100000 hours	
Weight:	840 gr	1350 gr



At the end of their useful life the packaging and product should be disposed of via a suitable recycling centre.
Do not dispose of with your normal household waste.
Do not burn.



The light source contained in this luminary shall only be replaced by the manufacturer, or his agent, or a similar qualified person.

NOTE! The light source is non-user replaceable.