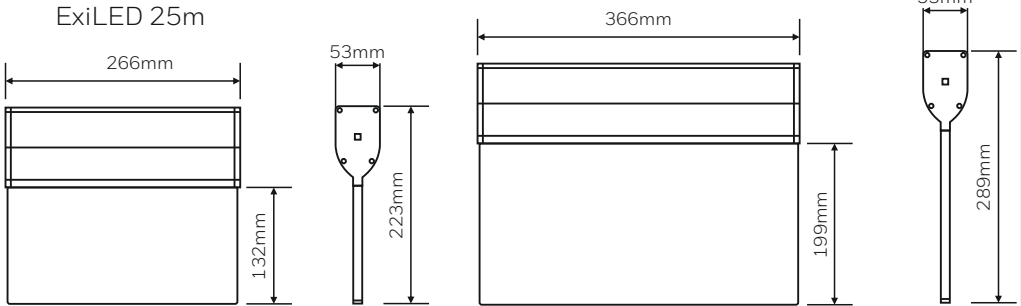
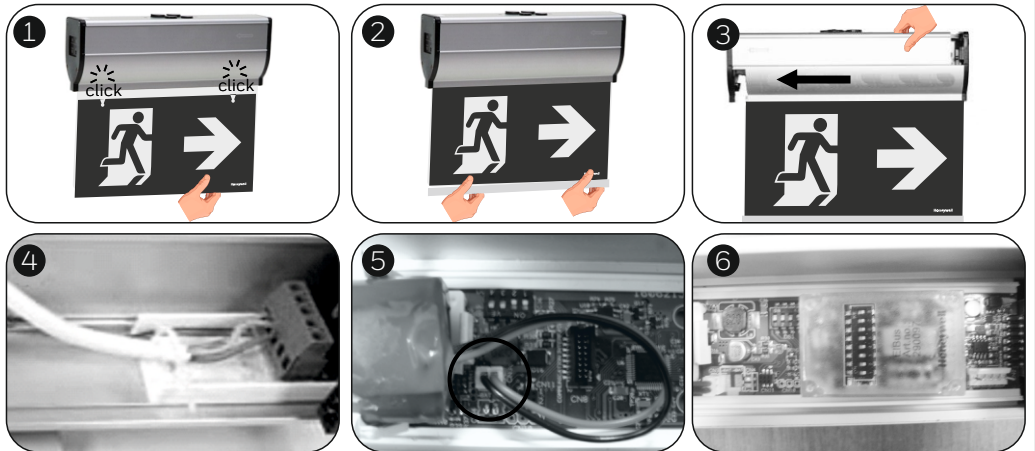


Surface Mounted

Dimensional Drawings:



Installation:



The product contains bracket for wall mounting and spacers for ceiling mounting.

Step 1: For double sided pictogram, install the appropriate pictograms to both sides, push up until you hear click sound. For single sided pictogram, there is one blind pictogram in the package.

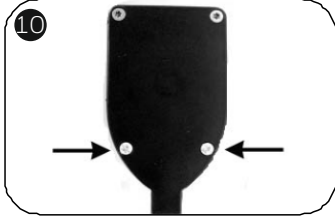
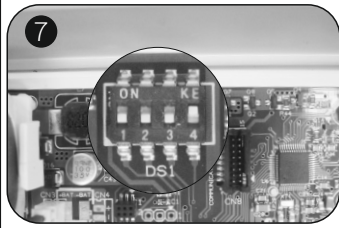
Step 2: Install the retaining clip to hold the pictograms.

Step 3: Dismantle the luminaire by sliding the mounting part as shown in picture. Fasten the mounting part (with screws from within) to either wall bracket(supplied), ceiling (with or without supplied spacers), pendulum, wire or flag bracket.

Step 4: Drill a hole on a black grommet and pass the mains cables through it. Connect the mains cables to terminal blocks: L for live wire, N for neutral and PE for ground. Power supply cables cross section should be 0.8 - 3 mm². The C1 and C2 terminals are used for eBus communication optional), DALI communication (optional), or voltage free contact (optional). Tighten the cable tie around the cables. ATTENTION!!!: Pass the tie through one (NOT two), of the available fixing holes.

Step 5: Connect the battery cable to its respective connector on the PCB.

Step 6: In case you use a module connect it on the PCB.



(default position)



Switch 4 = ON

Maintained operation (default position)



Switch 4 = OFF

Non-maintained operation

Step 7: The control of maintained or non maintained operation of the luminaire is achieved through Switch 4 of DS1. For maintained operation, switch number 4 must be in ON position. For non-maintained operation, switch number 4 must be in OFF position.

The user can select one of the 3 available minimum autonomy durations: 1 hour, 3 hours and 8 hours. The selection must be done while the luminaire is disconnected from AC and battery supplies. The selection is achieved through Switches 2 & 3 of DS1. Switch 1 is not used.

Two additional labels are included in the package, one for 3 hour duration (180) and one for 8 hour duration (480). Depending on the selected duration, the installer must cover the default 1 hour (60) printing with one that has the required duration.

Step 8: Slide the two aluminium parts carefully together.

Step 9: Fasten the two screws (included) as shown in the picture.

Step 10: Fasten the two screws (included) as shown in the picture.

Indicator LEDs	Description
GREEN	Normal Charging (battery test not possible while charging) Mains off, battery not connected or charger fault Battery test Battery fault Light source test Light source fault Battery fault and light source fault
YELLOW	
RED	
LED Status explanation	
Off	On Flashing

At the end of their useful life the packaging, product and batteries should be disposed of via a suitable recycling centre. Do not dispose of with your normal household waste. Do not burn.



Important notice when installing luminaires within the same area!!!

To avoid that luminaires perform their battery test at the same day, connect the battery packs with more than 1,5 minutes inbetween.

Note: In case of mains power disconnection for a period of more than two months, the battery must be disconnected.

Note: In case of battery replacement, this must be replaced with parts of the same type and characteristics. The replacement must be performed by the manufacturer or a competent person.

Note: If the supply cable of the luminaire is damaged, it shall exclusively be replaced by a competent person in order to avoid hazard.

Technical description	ExiLED M ST LED 25m 10Y 138h	ExiLED M ST LED 40m 10Y 138h
Part no.:	138087.10	138126.10
Operation Voltage:	220-240V AC, 50-60 Hz	
Maximum Power Consumption:	3,8W / 4,1VA	4,1W / 4,4VA
Battery (LiFePO ₄):	6,4V / 0,6Ah	
Battery Protection:	Overcharge protection / Deep discharge protection	
Min. - Max. Charge Current:	25 - 125mA	
Charge Voltage Range:	5,6 - 7,3V	
Charging Time:	8hours	
Emergency Mode Duration:	1h / 3h / 8h manually selected (default 1h)	
Lumen output, normal:	155lm	180lm
Lumen output, emergency (1h/3h/8h):	200/90/40lm	210/90/40lm
Produced in accordance with:	EN 60598-1, EN 60598-2-22, EN 55015 EN 61547, EN 61000-3-2, EN 61000-3-3	
Ambient Temperature Range:	5 to 40 °C	
Relative Humidity:	Up to 95%	
Degree of cover protection:	IP40	
Technical lifetime (light source):	> 100000 hours	
Weight:	900 gr	1400 gr
Expected Battery Lifetime:	10 years	
Controlgear classification in accordance with IEC 62034: with automatic test function		

The ExiLED is a self-contained LED exit sign with selftest function.
It can be configured as maintained or non-maintained.

Selftest functions

Every 15 days the luminaire will perform an emergency operation test. This will light the exit sign for approximately 3 seconds. The red indicator LED will flash during this test sequence.
Every 6 months the luminaire will perform a battery condition test. The test will last for the stated duration. The exit sign will be lit and the yellow indicator LED will flash during this test sequence.

Note: When using DALI or Wireless communication, the frequencies and schedules for tests will instead be determined by the connected PC software.

Manual test functions

Manual tests can only be performed if both mains and battery are connected.

By pressing the test button briefly (less than 5 seconds) an emergency operation test is performed. The exit sign will be lit for approximately 3 seconds, the red indicator LED will flash during this test sequence.
By pressing the test button for a time space between 5 and 10 seconds, a battery condition test is performed. This test will last for the stated duration and can only be performed when the battery is fully charged (steady green indicator LED). The exit sign will be lit and the yellow indicator LED will flash during this test sequence.

Resetting errors

Push the test button for a time space between 10 and 15 seconds to delete all indicated errors. Then the luminaire enters regular operation mode.

Dimming

By pressing the test button continuously for 15 seconds, when luminaire is connected to mains, the luminosity will be reduced to 10% of its total luminance. In emergency mode the light output will remain unchanged.
To restore the original settings, repeat the above procedure.
The dimming setting remains stored in the luminaire even when both mains and battery voltages are disconnected.