

582476 (L-VOM20A/EN) 20 W Sound Column

- ✓ **Sturdy aluminum enclosure**
- ✓ **Swivel bracket for easy installation and angle adjustment**
- ✓ **Applicable for extreme environment**
- ✓ **IP 66 compliant**
- ✓ **EN 54-24 certified**



General

The loudspeaker provides a broad frequency response range, low distortion and high sound pressure level for accurate and intelligible broadcast of evacuation messages and high quality sound reproduction. Its low-profile, white color design blends easily with most interiors in locations such as hotels, conference rooms, cinemas, theme parks, factories and exhibitions. This voice alarm column loudspeaker complies with BS 5859 part 8 and EN54 part 24.

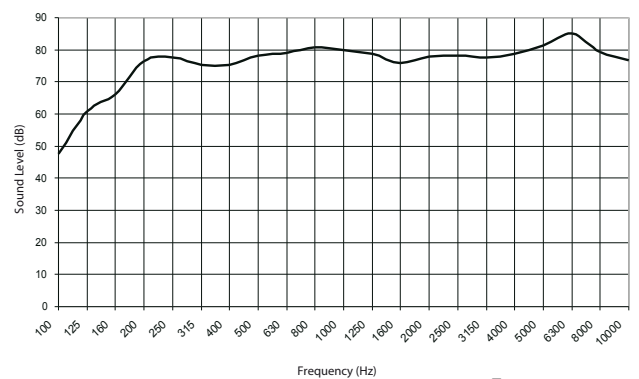
Mounting

With the swivel bracket the loudspeaker can be easily installed and its angle can be adjusted. Power setting can be done after installation.

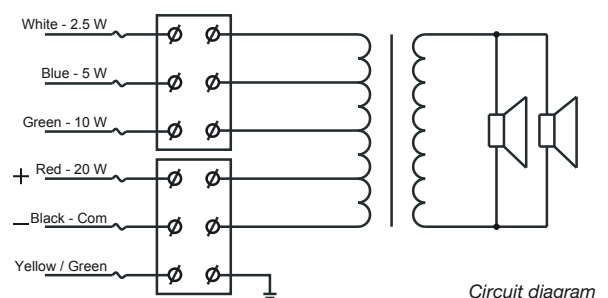
Power setting

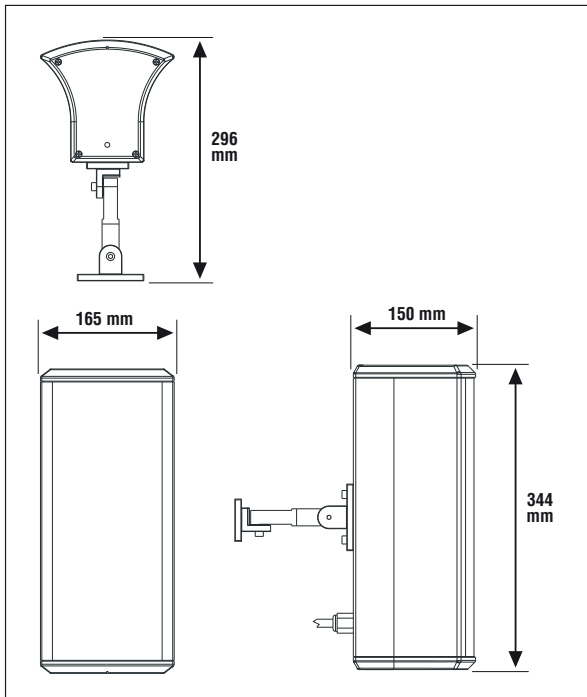
The product comes with a one-meter, fire-resistant six-core cable which is attached to the ceramic connector. The cable is a bundle of wires colored corresponding to the different power taps of the transformer.

Frequency response at 100 V / 4 m / 1/3 oct. smoothing

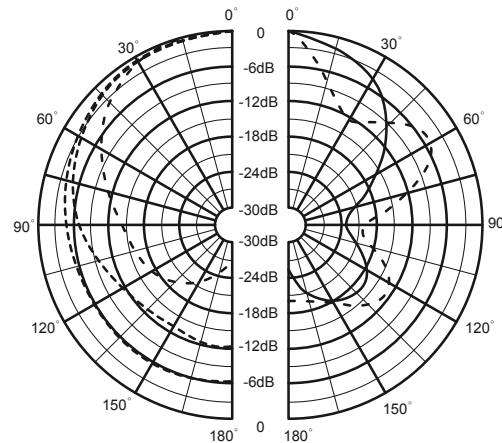


Frequency response





Dimensions



Polar diagram

Specifications

Rated Power	20 W
Transformer power taps	20 / 10 / 5 / 2.5 W
Rated impedance	0.5 / 1 / 2 / 4 kΩ
Sensitivity EN 54-24, 1 W / 1 m	91 dB
Sensitivity EN 54-24, max 1 m	104 dB
Transmission range	300 ... 15000 Hz
Dispersion angle	146° (H) / 87° (V) @ 1 kHz
Ambient temperature	-25 °C ... 55 °C
Storage temperature	-40 °C ... 70 °C
Air humidity	< 95 % non condensing
Type of protection	IP 66
Material	Aluminium
Color	white, similar to RAL 9003
Weight	approx. 3.75 kg
Dimensions	W: 165 mm H: 344 mm D: 150 mm
Declaration of Performance	CPR-DoP-2014003

Order information

Part No.

20 W Sound Column L-VOM20A/EN

582476